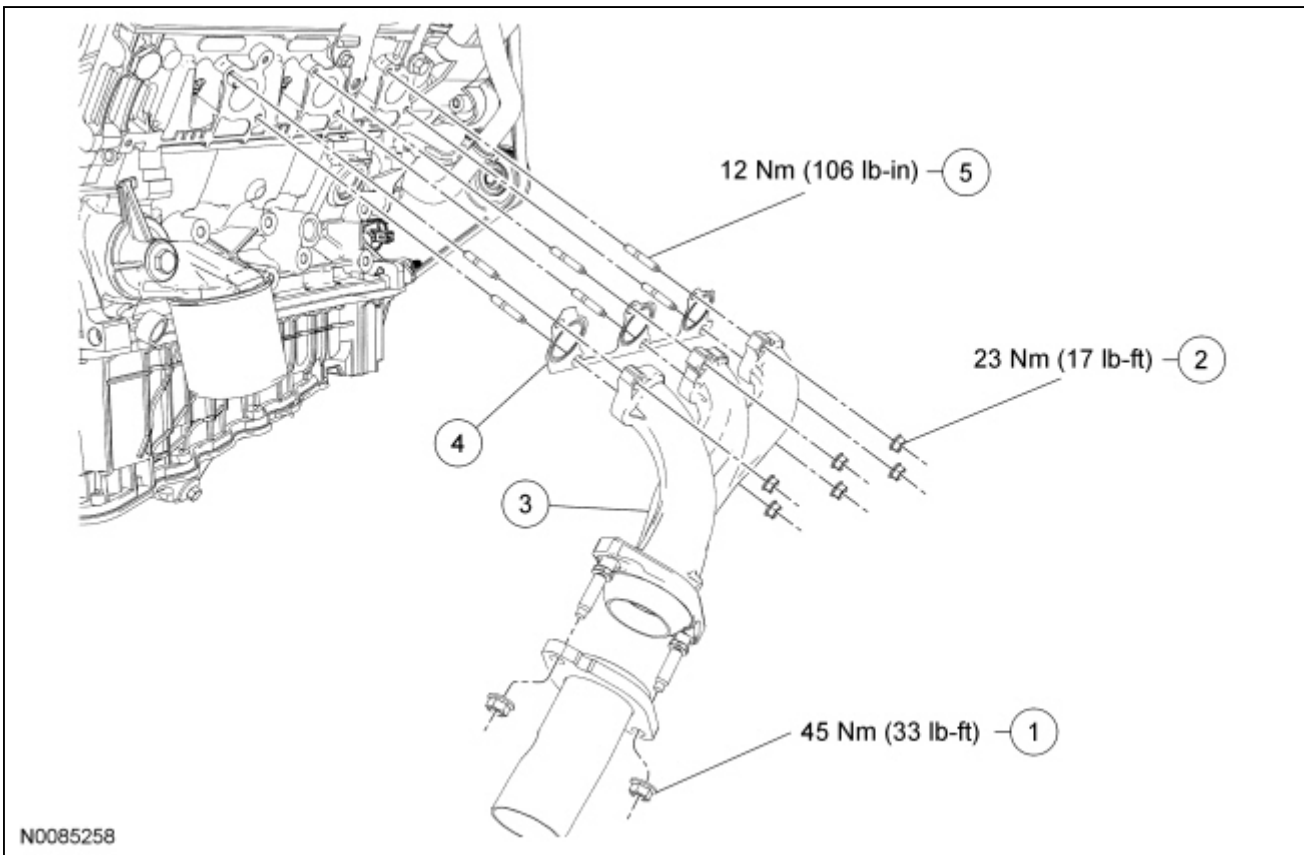


Exhaust Manifold — RH



Item	Part Number	Description
1	W701706	RH catalytic converter-to-exhaust manifold nut (2 required)
2	W701706	RH exhaust manifold nut (6 required)
3	9430	RH exhaust manifold
4	9448	RH exhaust manifold gasket
5	W705495	RH exhaust manifold stud (6 required)

Removal

1. With the vehicle in NEUTRAL, position it on a hoist. For additional information, refer to [Section 100-02](#).
2. Remove the 2 catalytic converter-to-exhaust manifold nuts.
 - Discard the nuts.
3. Remove the nuts, the RH exhaust manifold and the gasket.
 - Discard the nuts and gasket.
4. Clean and inspect the RH exhaust manifold. For additional information, refer to [Section 303-00](#).
5. Remove and discard the 6 RH exhaust manifold studs.

Installation

1. Install the 6 new RH exhaust manifold studs.

- Tighten to 12 Nm (106 lb-in).
2. Install the new RH exhaust manifold gasket, manifold and 6 new nuts.
 - Tighten to 23 Nm (17 lb-ft).
 3. Install the 2 new catalytic converter-to-exhaust manifold nuts.
 - Tighten to 45 Nm (33 lb-ft).
-